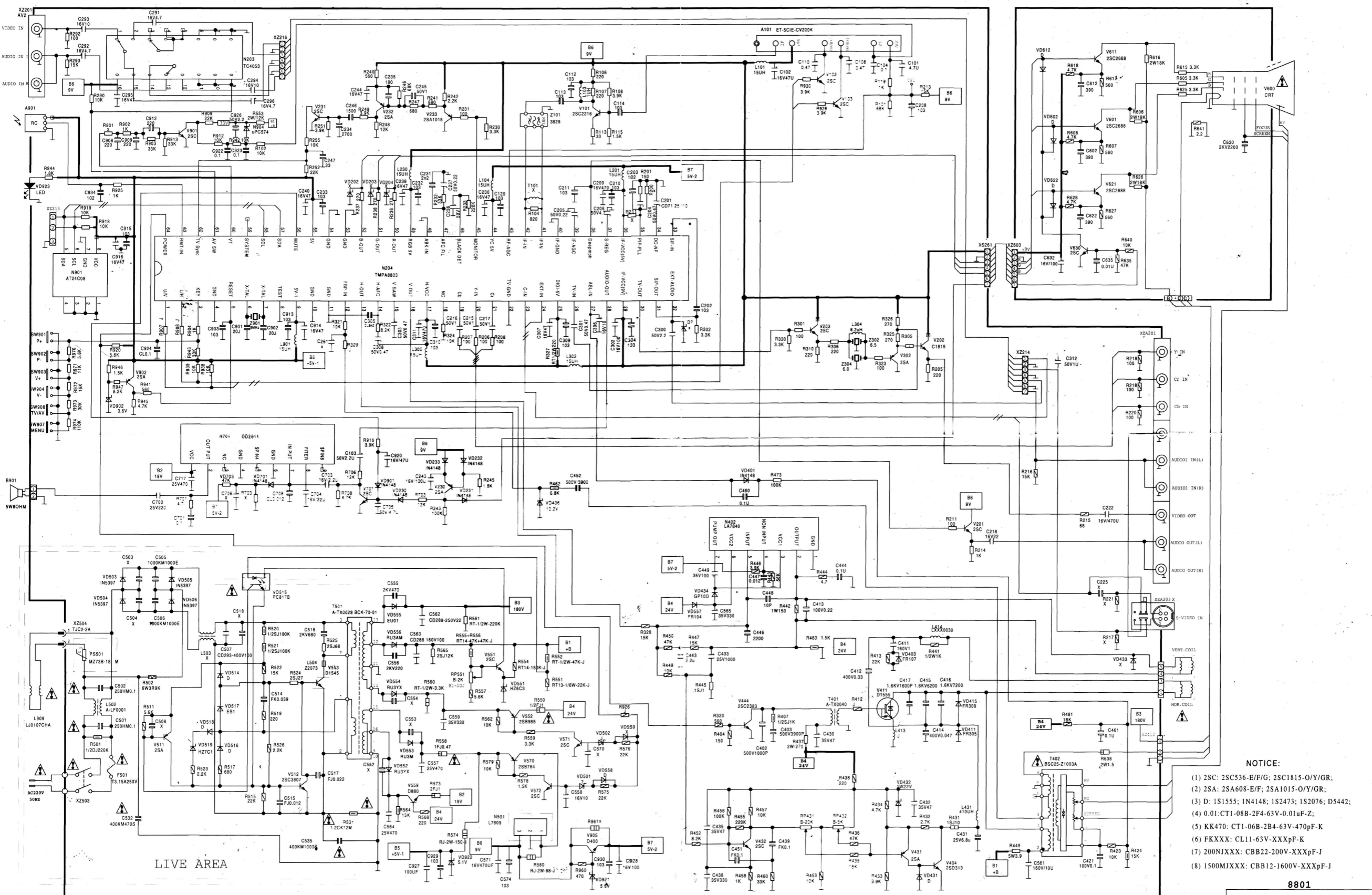


# COLOUR TV SCHEMATIC DIAGRAM



**NOTICE:**

- (1) 2SC: 2SC536-B/F/G; 2SC1815-O/Y/GR;
- (2) 2SA: 2SA608-E/F; 2SA1015-O/Y/GR;
- (3) D: 1S1555; 1N4148; 1S2473; 1S2076; D5442;
- (4) 0.01: CT1-08B-2F4-63V-0.01uF-Z;
- (5) KK470: CT1-06B-2B4-63V-470pF-K
- (6) FKXXX: CL11-63V-XXXpF-K
- (7) 200NJXXX: CBB22-200V-XXXpF-J
- (8) 1500MJXXX: CBB12-1600V-XXXpF-J

8801  
 Note: Without notification for any specification change!